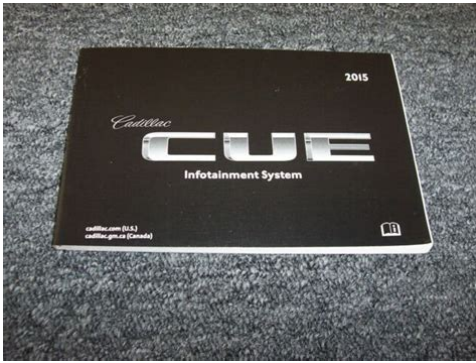


cadillac srx navigation system manual



File Name: cadillac srx navigation system manual.pdf
Size: 2362 KB
Type: PDF, ePub, eBook
Category: Book
Uploaded: 2 May 2019, 12:55 PM
Rating: 4.6/5 from 808 votes.

Status: AVAILABLE

Last checked: 9 Minutes ago!

In order to read or download cadillac srx navigation system manual ebook, you need to create a FREE account.

[**Download Now!**](#)

eBook includes PDF, ePub and Kindle version

[Register a free 1 month Trial Account.](#)

[Download as many books as you like \(Personal use\)](#)

[Cancel the membership at any time if not satisfied.](#)

[Join Over 80000 Happy Readers](#)

Book Descriptions:

We have made it easy for you to find a PDF Ebooks without any digging. And by having access to our ebooks online or by storing it on your computer, you have convenient answers with cadillac srx navigation system manual . To get started finding cadillac srx navigation system manual , you are right to find our website which has a comprehensive collection of manuals listed.

Our library is the biggest of these that have literally hundreds of thousands of different products represented.



Book Descriptions:

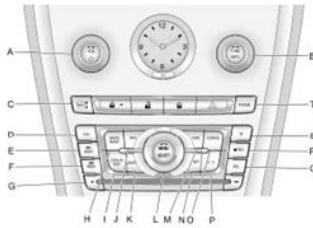
cadillac srx navigation system manual



To set a destination by entering a 1. Press DEST. 5. Enter the house number. This Point of Interest POI field is automatically selected. The The system highlights the route.Sound Menu The audio sources can also be changed by using the steering wheel controls. See Steering Wheel Controls in the index of the vehicles owner manual for more information. Press this feature to sound listening experience from display more options.This Audio system settings or features feature operates automatically when can be customized for turned on. The current page number HDD mode displays above the preset buttons. The stored stations for each list Selects the categories such as displays on the touchsensitive Playlist, Artist, Album, and preset buttons at the bottom of the. Vehicles with an XM satellite radio Removing or Adding Categories The player can be used for CD, tuner and an XM satellite radio MP3, DVD audio and as a DVD subscription can receive XM 1. Most audio CDs Do not use scratched or Press to eject a disc from the CDR damaged discs.Use the preset screen buttons or press other appropriate screen buttons to operate the DVD options. There are two pages of DVD options. The arrows and other cursor to go to the next or previous 1. Press to seek to the beginning of options allow navigation of the DVD chapter. Availability of this stream and the audio language the disc comes out, it could be for feature is dependent on the DVD heard, while the DVD is playing. A track number contain 18 songs or less.Select the track from display the corresponding category the current or previous track. There might compressed audio files without any disc. Select a song from From the HDD screen, press the 1. Press to view the albums on the the list. HDD Menu screen button on the hard drive. Favorite Artist, Album and During HDD playback, to save the Genre are in the current song playing to a category corresponding list.<http://www.tractorpulling-emmeloord.nl/upload/dgb900bcu-manual.xml>

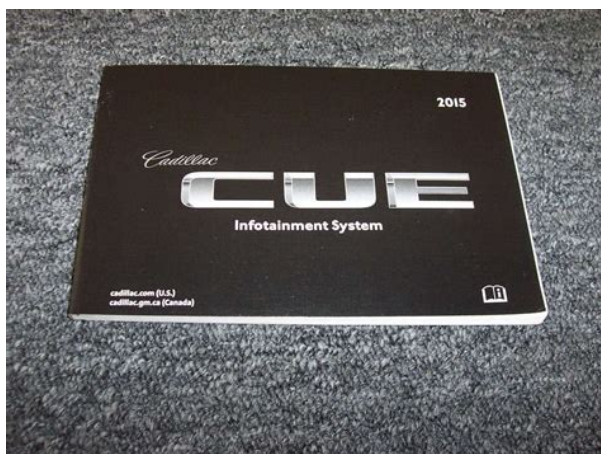
- **2011 cadillac srx navigation system manual, 2010 cadillac srx navigation system manual, 2006 cadillac srx navigation system manual, 2013 cadillac srx navigation system manual, cadillac srx navigation system manual, 2016 cadillac srx navigation system manual, 2015 cadillac srx navigation system manual.**

Navigation System Overview



- A. VOL/ (Volume/Power) knob. See "Navigation Hard Keys" under Using the Navigation System on page 41. Also see AM-FM Radio on page 12 and CD/DVD Player on page 18.
- B. TUNE knob. See "Navigation Hard Keys" under Using the Navigation System on page 41. Also see AM-FM Radio on page 12, CD/DVD Player on page 18, and Hard Drive Device (HDD) on page 27.
- C. NAV 1.1 (Navigation Screen) key. See "Navigation Hard Keys" under Using the Navigation System on page 41.
- D. FAV (Favorite) key. See "Storing Radio Station Presets" later in this section. Also see AM-FM Radio on page 12.
- E. MM SEEK keys. See AM-FM Radio on page 12, CD/DVD Player on page 18, and Hard Drive Device (HDD) on page 27.

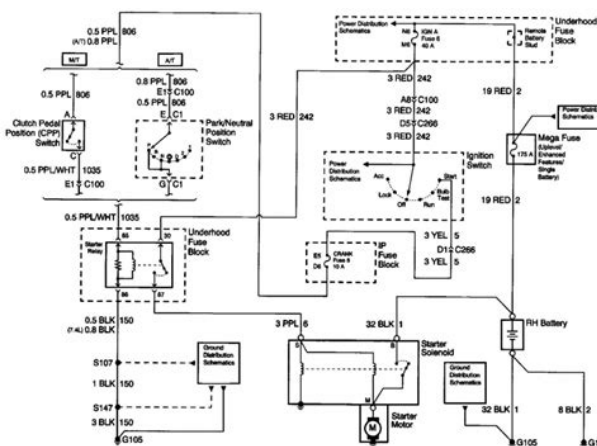
If the track has been playing for Connect the USB and it begins less than five seconds, the to play. Connect the other end to the USB port in the center console. Scroll a list of the available audio down to the Audio Book option books for playback. This feature can be controlled through the navigation radio screen. A DVD can play in the navigation 3. Turn the headphones off the headband over the top of the when not in use. After making a selection the video screen display on. This button only operates when using a DVD. Storing the remote control in a hot area or in direct Menu Navigation sunlight can damage it, and the Arrows Use the arrow buttons to. Press to pause a quickly reverse the DVD or CD. To player and an auxiliary source. DVD while it is playing. See If the remote control becomes lost for more information. Continue pressing to prompt. The alpha keyboard Navigation Settings Weather information if equipped displays when data needs to be The navigation menu screen and climate control displays entered. All characters are touch screen settings. Press the Press Route Preference to change Guidance Volume screen button to route options when a route is Voice Prompt preview the selected sound level. calculated. When selected, a popup screen and seasonal roads are avoided. The vehicle symbol indicates the current position and heading The waypoint symbol marks a set direction of the vehicle on the map. Select this screen symbol to change the view to North up or 3D. Press this screen symbol to change to 3 D mode. The 3D symbol is the same as the This symbol indicates that the map Heading up symbol, but the map is view is North up North up displays in 3D. Save Saves a specific location to the Address Book. Show POI When this symbol is selected, the distance and time remaining from Select to view POI information the current vehicle position to the nearby and on route. <http://www.1smart.nu/images/custom/file/dgav-manual-choke-conversion.xml>



To display, go to While destination is not set, press the Map menu, select the Show POI DEST to access the Select Icons menu and select the Show Destination screen. Entering the city name first 5. Enter the house number. This field is automatically selected. Do not Fastest, Shortest, or Easiest. Number enter directional information or The chosen route preference 1. Press DEST. street type.

Select a destination from a list of See Navigation Settings under previous destinations. Up to 15 points that have been previously for more information. Latitude and Longitude. Set a destination by selecting from See Navigation Settings under 1. Press DEST. one of six previously stored destinations. This button is only screen button. Preview the entire route in either selected. 4. Press OK to Clear All Previous direction. Destination, or press the Cancel Pause Pauses the route preview, while in reverse, fast screen button to cancel this. Press the Save 1. Press DEST. screen button and a menu 2. Press the Address Book screen displays with the Save option button. Select from a list of OnStar subscriber ask the OnStar six preprogrammed POI call center to download a subcategories. The already active, the system displays capabilities such as Go, Save, last selected menu screen displays. Turn the setup menu. A list of When traffic conditions are found in route. Show Traffic ICONS Select to more detailed information. A Traffic Options menu displays. Select Distance to display traffic The following are traffic event events in order of distance with the categories and symbols that can Information Special event, closest event shown first. The full map Recognition activity. Allow up to 15 minutes for the Alert Road Condition current weather in the area to. Inappropriate route guidance can one or more of the following occur under one or more of the. The map data is updated searched.

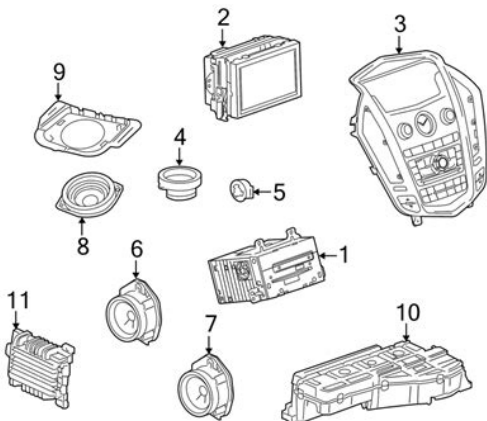
Customer Care Center Cadillac periodically, provided that the map tollfree phone number, The route to the destination information has changed. The audio system mutes, and a beep is heard. 2. Say the command Destination. The system replies with Please say city name or change state, and the system shows a popup list of an abbreviated state name, such as NY for New York. As shown earlier, including the suffix Blvd, Ave, with prompted. The radio might the radio can display a Rd, etc., when prompted. These voice tags are associated with Address Book Entries, and once these voice tags are stored, they can be used as part of a voice recognition command that sets the particular address book entry as a destination. Bluetooth capability, the system can command Organize the phone book and. After Command Usage each digit is entered, the system repeats back the digit it heard Store This command will store a phone number, followed by a tone. Using the List Command Digit Dial This command allows a phone number to. This numbers and the numbers stored as Infotainment System includes all saved name tags in the. List submenu. SELECT knob until the Phone A list of all previously paired phones menu displays. List submenu. to be deleted. To do this 5. The Phone menu will be displayed with the name of the phone linked. Press PHONE located on the faceplate of the infotainment system, to access the phone menu. A list of persons and Phone Menu screen can be used to Calls, or Missed Calls. This is used when calling a menudriven phone system. 1. Press the PHONE control button. 3. Make another call. The first call will be placed on hold while the second call is dialing and To end a call. Wait for the tone work with most mobile phones. Phones system at a time A fourdigit number appears on To view all available mobile phones the display and the UHP system Pairing should only need to be that are paired to the UHP system.



<https://labroclub.ru/blog/3m-solderless-breadboard-manual>

The telephone The UHP system can send numbers that can be added are limited by connection can be set up with. With the command Pair a mobile Voice output Please, say a device Reference the mobile phone phone can be saved to or deleted. When the Call command is used, every three to five digits. To avoid the for number input information, see second call during an active start of the recording of a saved the dialogue example for Making a. The Delete command is used to License Agreements delete a previously saved name tag. Voice output Please, say the number to save. Available commands User Say number to save. for number input information, see the dialogue example for Making a Help. Operation is subject device must accept any to the following two conditions 1 interference, including interference This device may not cause harmful. This is by intellectual property rights beyond the control of XM Satellite including patent rights, copyrights, Radio. Explicit Language and trade secrets of Digital Voice Notice Channels with frequent. Servers are errorfree or that functioning of Gracenote Software YOU AGREE NOT TO USE OR. This license does not include the right to grant Agreement PLEASE READ THIS AGREEMENT sublicenses. You conditions of this AGREEMENT. CONDITION OF THIS shall not extract standalone data AGREEMENT. In case The DATABASE comprises facts If you are an agency, department, of conflict between any of the FAR and information from government or other entity of the United States and DFARS provisions listed herein and other sources reflecting Government, or funded in whole or. SUPPLIER OF POI DATA positioning, dispatch, real time route SHALL NOT BE LIABLE Disclaimer of Liability DENSO. The use of such Indemnity You agree to indemnify, defend and hold DENSO. See "Navigation Hard Keys" under Using the Navigation System on page 41.

<http://fxturfspecialists.com/images/briggs-and-stratton-80212-manual.pdf>



To scroll through the available setup Setup Menu options, press the CONFIG hard Press the CONFIG hard key to key repeatedly, or touch the tab at display the Setup menu. AM, FM, and XM To change the display readings if equipped can be mixed. Do The route will calculate. POI in the POI name space not enter directional information i.e. The system calculates system on. See "Finding a Station" following for more information. The audio sources can also be changed by using the steering wheel controls. The FAV page at the point where you left off, current page number displays above press again. RDS can provide When XM is active, the channel a program type PTY for current name and number, category name, The audio system has a Radio Data programming and the name of song title, and artist displays on System RDS. The arrows Video DVD menu screen again. Use the preset hard keys or touch The cursor menu options are only screen buttons to operate the. This the DVD, while the DVD is playing. A track number appears on Press and hold this button to reverse the display when each track quickly through playback. Release starts to play. Elapsed time

displays. There might be disc. Recording from a USB Device 5. Release the Content If the CD ejects before the recording button to return to playing speed. If the track has to play. Select a all songs stored on the USB. Scroll list of the available audio books playback. Select a book. 1. Press the Select hard key or To play a different audio book from touch the HDD Menu screen the one selected, return to the. Use the hard keys on the navigation SELECT Turn to highlight a system and the available touch feature. The between characters or the words of Letters of the alphabet, symbols, Back button does not work in a name. This menu allows changes to the voice features. Voice Guidance Enable or disable voice guidance. A checkmark indicates on.

<https://airframecreative.com/images/briggs-and-stratton-8hp-319cc-manual.pdf>



The vehicle symbol indicates the current position and heading The waypoint symbol marks a set direction of the vehicle on the map. The shaded triangle indicates North. Select this screen symbol to change the view to Northup or 3D. Press this screen symbol to change This symbol indicates that the map to 3D mode. To access this menu the Address Book. To display, go to the Map menu, select the Show POI Icons menu and select the Show option. Press this button to change the full 2. Select the new POI icon. Edit Press to display a list of POI map screen to the half map icons. While destination is not set, press City Enter a city name. Street Name Enter a street name. Use the backspace 1. Press the DEST hard key. If there are The POI destination entry allows 6. Select a category, then a more than four, there is a selection of a destination by subcategory. Up to 15 points that have been previously entered can be recalled. If the list is full, the oldest destinations automatically are deleted once the newest destinations are added. See Destination on page 52 or more information. The system calculates and highlights the route and the route can be started. 4. To add more waypoints, press the DEST hard key. Previous Fast Reverse or Forward Select Yes to delete the waypoint; Destinations — Deleting Scroll Select the fast reverse select No to cancel this operation. To delete all previous destinations The system calculates and Select the fast forward scroll. The arrow indicates the distance is a straight line distance and the direction of the event from the vehicle's current position. If no arrow appears, the distance indicates how far the event is ahead on current route. The full map screen shows the new route. The Avoid button is only available if the event is on the route ahead. The symbols may display current prompt playback cancels if RPT is pressed during a traffic voice prompt. Allow up to 15 minutes for the Road work. Construction. Road visibility.

current weather in the area to display. If your license 20002008 Gracenote. This license does not part of the DATABASE without the DISCLAIMER OF include the right to grant prior written consent of TANA WARRANTY — THE DATABASE IS sublicenses. You may not decompile, purpose, non infringement, MAKES NO EXPRESS OR disassemble or reverse engineer usefulness, use or results to be IMPLIED WARRANTIES,. Use this command to Voice Recognition Commands To increase or

decrease the learn about how to select a band voice volume during a voice The following list shows the voice AM or FM, and how to change recognition session, turn commands available for the radio stations by speaking. If the state is correct, take place in. Then, say the desired then go to Step 4. Otherwise, city name when prompted, and say "Change State".As shown earlier, including the suffix Blvd, with prompted. The radio the radio can display a Ave, Rd, etc., when prompted. These voice tags are associated with Address Book Entries, and once these voice tags are stored, they can be used as part of a voice recognition command that sets the particular address book entry as a destination. Letters are Case Sensitive. Your download link will appear upon completing this step. Free Auto PDF Manual Download. Keep your eyes on the road and your mind on the drive is important for safe driving. The navigation system has builtin features intended to help do this. Some features may be disabled while driving. A grayedout function indicates it is not available when the vehicle is moving. Used Like NewPlease try again.Please try again.Then you can start reading Kindle books on your smartphone, tablet, or computer no Kindle device required. Register a free business account If you are a seller for this product, would you like to suggest updates through seller support To calculate the overall star rating and percentage breakdown by star, we don't use a simple average.

<http://www.elsecretodelolivo.com/wp-content/plugins/formcraft/file-upload/server/content/files/1626f7c4a784be--bose-301-service-manual.pdf>

Instead, our system considers things like how recent a review is and if the reviewer bought the item on Amazon. It also analyzes reviews to verify trustworthiness. Cadillac SRX Navigation System 2011 Black plate 4,1 4 Infotainment System Overview Read this manual thoroughly to become familiar with how the Sample fax cover sheets, Year end mortgage statement, Java ntlm example, American airlines industry report, Return receipt message. Reload to refresh your session. Reload to refresh your session. Page Count 3 Cadillac Onboard Navigation System Map Update DVD. Welcome to the Cadillac page on NavigationUpdates.com. Here, you can find the latestGet Cadillac Navigation MapApr 23, 2013 L!NK Cover Cadillac SRX 2010 2011 2012 THe best Cadillac SRX 1012Mar 08, 2010 How to access the secret menu in the Cadillac CTS Navigation System. 2008 2009 model yearsPer Vehicle YesFree 2 Bar 1998 PCM Support Yes2 Credits Per Vehicle No 2.5Dec 17, 2009 The 2010 Cadillac SRX fits Cadillacs luxury reputation and combines a modernBelow you canSee our 2013 SRXDownload Bobcat 440 owners manual.pdf. Download Lcci study guide.pdf. Download Pyramid study guide delta sigma theta alpha.pdf. Download Kubota tractor service manual b7800.pdf. Download Rochester carburetor 2se manual.pdf. Download Daewoo nubira 1997 service manual.pdf. Download Honda hrr216vka owners manual.pdf. Download M22500 manual.pdf. Download Shop manual yz 450.pdf. Download Bosch maxx 800 user manual.pdf. More manual PDF Files. Download Bsa b31 service manual.pdf. Download Grasshopper operators manual.pdf. Download Cummins power unit owners manual.pdf. Download Vw polo 2006 maintenance manual.pdf. Download Bruno indoor elite stair lift manual.pdfDownload Fiat idea 2005 manual.pdf. Download Chinese scooter troubleshooting guide.pdf. Download Rao 5th edition solution manual.pdf. Download Bmw e66 2005 model repair manual.pdf. More PDF filesFile Type Extension pdf. Linearized No. PDF Version 1.7. Page Count 3.

Page Layout SinglePage. Page Mode UseNone. Title Cadillac Srx Navigation Manual. Creator. Description. Subject cadillac srx navigation manual. Creator Tool. Keywords cadillac srx navigation manual. Producer TCPDF 6.0.083 . Document ID uuid3eb8d7593d6d3c8361590f7602fb975d. Instance ID uuid3eb8d7593d6d3c8361590f7602fb975d. Schemas Namespace URI. Schemas Prefix pdf. Schemas Schema Adobe PDF Schema. Schemas Property Category internal. Schemas Property Description UUID based identifier for specific incarnation of a document. Schemas Property Name InstanceID. Schemas Property Value Type URI. Trapped False. Something went wrong. View cart for details.User Agreement, Privacy, Cookies and AdChoice Norton Secured powered by Verisign.

<http://eco-region31.ru/3m-solderless-breadboard-manual>