



File Name: car tyre changer manual.pdf

Size: 4572 KB

Type: PDF, ePub, eBook

Category: Book

Uploaded: 13 May 2019, 22:51 PM

Rating: 4.6/5 from 778 votes.

Status: AVAILABLE

Last checked: 7 Minutes ago!

In order to read or download car tyre changer manual ebook, you need to create a FREE account.

[**Download Now!**](#)

eBook includes PDF, ePub and Kindle version

[Register a free 1 month Trial Account.](#)

[Download as many books as you like \(Personal use\)](#)

[Cancel the membership at any time if not satisfied.](#)

[Join Over 80000 Happy Readers](#)

Book Descriptions:

We have made it easy for you to find a PDF Ebooks without any digging. And by having access to our ebooks online or by storing it on your computer, you have convenient answers with car tyre changer manual . To get started finding car tyre changer manual , you are right to find our website which has a comprehensive collection of manuals listed.

Our library is the biggest of these that have literally hundreds of thousands of different products represented.



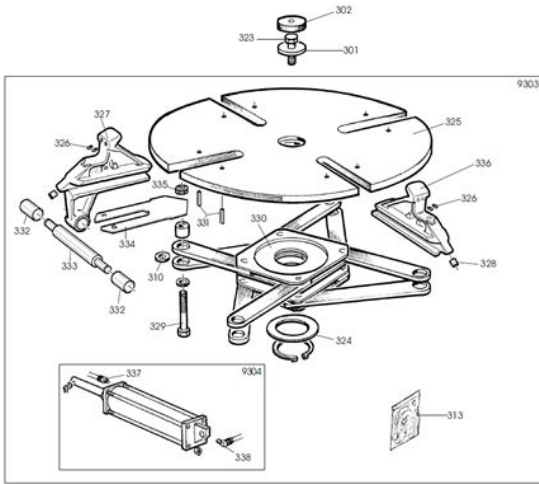
Book Descriptions:

car tyre changer manual



When you buy through links on our site, we may earn an affiliate commission. Learn more With just a little knowhow, practically anyone can master these manual tire machines. For this reason, it's vital that the equipment you use to replace them won't do any damage. To help you find the perfect tire changer for your garage, we've put together this handy guide. Below, we run through 10 of the best manual tire changers on the market right now, so you can make an informed decision. Made from rugged steel, the sturdy device can change everything from eight inch tires to light truck tires. Thanks to a solid base, it's easy to get the leverage you need to break the tire's bead, making the whole process quick and comfortable. Drivers say that the machine is a sound investment; built to last and easy to use. Because it can be disassembled into two distinct pieces, it's conveniently compact and simple to store. Made from durable and sturdy steel, the device holds fast throughout the tirechanging process, and remains balanced even when you're dealing with heavier wheels. This smooth finish also makes the tire changer very easy to clean when necessary. It's also safe and easy to use; a locking collar holds tires securely in place while you work, and assembly is quick and simple. Thanks to a series of nifty design features, experienced users should be able to change a tire in as little as 44 seconds with this machine. In use, the machine stands at a conveniently ergonomic height, eliminating back pain, and allowing you to work standing up. Tubeless, bib mousse, tire balls, Tubliss, and tires with a regular tube set up, can all be changed with this useful machine. Between uses, the device can be easily disassembled, and stored in a convenient carrying case. When you need to use the tire changer once again, it can be put back together in seconds, without the need for tools. When not in use, the device can double up as a convenient motorcycle tire stand. <http://www.favourlight.com/attachment/e3-series-manual.xml>

- **manual car tyre changer, manual car tyre changer with bead breaker, e4g 428 manual car tyre changer, 1.0, manual car tyre changer, manual car tyre changer with bead breaker, e4g 428 manual car tyre changer.**



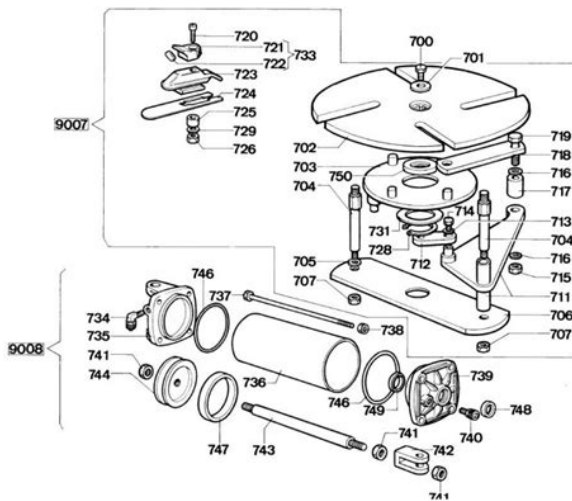
Backed by a lifetime warranty, you can rest assured this tire changing stand is built to last. Carefully designed for inspecting, cutting, buffing, dust suctioning, and patching tires, the handy device gives you the access you need to carry out these important tasks. For ease of use, the device is also fitted with a handy tool tray, giving you quick and easy access to the equipment you need during use. The spreader is suitable for use with virtually any tire, from cars to light trucks, and other passenger vehicles. Users say the tire changer is simple to use, and ideal for use with smaller tires, such as 10 inch scooter tires. Because of its lightweight design and compact size, the mini tire changer is easy to stow away in your garage or shed. The device is built to last, made from heavy duty, dropforged carbon steel. This sturdy metal has also been powder coated for a glossy surface, allowing for easy cleaning and corrosion resistance. Experienced users can demount a tubeless tire in just eight seconds using the tire changer, saving considerable time and effort. Fitted with nylon rollers, the tool will also protect your tires, rims, and tools against scrapes and other damage. They also reduce the risk of injury, making the tire changing process that little bit safer. Meanwhile, an extralong handle provides users with maximum leverage, allowing them to break tire beads with ease. It's lightweight, too, making for easy transportation. Built with a wide base, the tool provides incredible stability during use. This solid foundation improves user safety, and helps to provide an effective, efficient tire changing experience. Suitable for tires with a diameter of 16 inches or more, this tire changer offers a wide range of functions. Fitted with fully adjustable sliding jaw clamps, it's simple to position your tires for the bead breaking process. Meanwhile, two center posts ensure that both bearing center and hub center wheels are accounted for. <http://viaggi.abruzzo.it/img/e30-318is-service-manual.xml>



Users say that this affordable option is perfect for ATVs and UTVs in particular, but versatile enough to handle a whole host of other types of tire. Like most fixed manual tire changers, you'll need to ensure the device is firmly bolted to the floor for best results. Made from durable painted steel, the durable machine resists corrosion and is easy to wipe clean when necessary. The handy device is suitable for use with all tires with a diameter of eight to 16 inches. If you've never changed a tire before, this could be the perfect starting point. Each ATE Pro. manual tire changer includes a bead breaker, tire iron, and lever bar, so you can get started right away. With its small size, lightweight design, and flexible tire platform, the spreader makes it quick and easy to repair a wide range of tires. The tire platform itself rotates a full 360 degrees, and tilts up to 90 degrees. This ensures that you can access the tire from any angle, for comfortable repairs. Thanks to a layer of tough, glossy paint, the machine can stand up to corrosion, allowing it to last and last. Suitable for both car and light truck tires, the handy machine is a boon to practically any home garage. Users agree that the useful device is great value for money, and found the inclusion of a tool tray and LED to significantly improve the tire repair experience. Made using sturdy painted steel, the machine makes separating tires and attaching new ones a breeze. The firm base and long handle allows for plenty of leverage, so you'll have no trouble breaking the tire's bead. When you're done, this handle can be easily detached, for compact and convenient storage. Customers across the board found themselves impressed with how simple the tire changer is to use. With a little practise, virtually anyone can save themselves a trip to the garage, and improve their DIY capabilities.

With My Biltema you get great prices and special offers on select products, access to your saved shopping lists, and digital receipts. Membership is completely free of charge. Manual tyre changer for easy removal of motorcycle tyres, with or without tubes. Adjustable to fit all rim sizes. Stable and functional design. The bead breaker has 6 different positions so that the correct angle against the tyre can be achieved for optimal force when pushing down the tyre from the rim. Portable, takes up little space. Click on the link in the email and your subscription is live. If you don't accept the use of cookies you can close it in the settings for your web browser. There is, however, a risk that certain functions on the website will not function correctly. Please upgrade in order to get best possible experience. Following questions are listed for your reference, hoping it can help you. Sino Star tire changers are packed with exporting standard, tough and safe. A wide variety of manual tyre changer options are available to you. There are 339 suppliers who sell manual tyre changer on Alibaba.com, mainly located in Asia. The top countries of supplier is China, from which the percentage of manual tyre changer supply is 100% respectively. Ideal for professional use or at home in the garage, the manual tyre changer performs both mounting and bead breaking procedures at a fraction of the normal cost. Heavy steel construction combined with portability and easy operation makes the

Ranger manual tyre changer the inclass leader and service professional's first choice. Move it anywhere with zero struggle or strain. The bead breaking system on this tool is effective on smaller tyre sizes up to light truck, and mounting is made easy for ergonomic convenience. Take this tyre changer with you anywhere on the road, to your buddy's, to and from the shop, etc. With the time and money you save, you'll be glad you went with this timeless piece of shop equipment.



<http://eco-region31.ru/bosch-wfl2260-instruction-manual>

Genesis Equipment Pty Ltd is a Australian importer and distributor of BendPak's portfolio of products. Genesis Equipment Pty Ltd continues to pursue and elevate the standards of excellence through their strategic partnerships with automotive care professionals throughout Australia. As a direct Australian importer, Genesis Equipment Pty Ltd is uniquely positioned to provide customers with the lowest delivered pricing and unparalleled after sales support. Genesis Equipment Pty Ltd is an independent thirdparty contractors and are not agents for, not joint ventures of, and are not employed by BendPak. By continuing to browse the site you are agreeing to our use of cookies. I agree You must have JavaScript enabled in your browser to utilize the functionality of this website. The tool should not be used with aluminium rims as these could be damaged. Its small base frame size of 38.1 x 45.72 cm allows for the tyre changer to be stored away easily and without taking up much space. The mounting holes further offer the possibility of bolting the device to the ground for a secure positioning and more stability. This device is easy to use and does not require a power source, which makes it even more versatile. Further, it is not just capable of separating tyres from rims but is also suited for attaching new tyres. Our catalogues includes manual, semiautomatic or superautomatic bike and car tyre changers, machinery that can manage inner tube or tubeless wheels, wheels with a diameter of between 14 and 58" and even alloy rims. The materials and manufacturing techniques make Hofmann's manual changers longlasting, easy to use and reliable. The advanced technology used for the more automated models perfectly manages the tools that take care of the various operations necessary for a quick and precise tyre change. With topside bead seating kit. WDK certified. With topside bead seating kit. WDK certified. All rights reserved.

<https://www.hotel-forsthaus.com/images/calculus-larson-9th-edition-solutions-manual-pdf.pdf>



We reserve the right to change specifications at any time without prior notice. Please try again later. Registered in England 541132. Registered office Authorised and regulated by the Financial Conduct Authority Financial Services Register number 204550. The financial Machine Mart Limited is registered in England Find out more about. It only takes a few minutes on a daily basis. Other than that, it allows to keep the tyre changer in good condition. The equipment is ready to work with hundreds of tyres every day. However, if your clients don't provide the right maintenance, it may suddenly stop working. We got a few tips about the right maintenance for tyre changers. Be sure to show it to your customers. Keep in mind, though, some models may require special maintenance. So better advise your clients to check that in the users' manual! A tyre service wouldn't be able to exist without a tyre changer. And some basic maintenance means hasslefree work for years. Here's a short checklist Also, make sure that the screws in the jaw guiding rails are in place. There should not be any obstructions. And if there are leaks, the hoses need to be replaced as soon as possible. This pertains to the turntable, jaws, as well as the guiding rails. Removing the liquid from the water box. For the best experience on our site, be sure to turn on Javascript in your browser. Cookie statement Cookies also make it possible to recognize visitors when they return to the website. Cookies help the website better accommodate the visitors wishes and preferences. Cookies can also be used to make the content of a website or the publicity on a website more relevant for the visitors. Should you have further questions about the Privacy Policy of MATTHYS bvba, please contact our customer service who can help you about information of your data or if you wish to change anything. You can also change your data in your profile online after you have logged in.

<http://www.relais-saint-jean-hotel.com/images/calculus-salas-hille-etgen-10th-solution-manual.pdf>



We will use your information to ship your order as quickly and easily as possible. MATTHYS bvba will NOT sell your personal information to third parties and will only make them available to third parties that are involved in processing your order. Our employees and third parties engaged by us are obliged to respect the confidentiality of your information. More information about cookies on this website Questions. Follow us on Facebook Other pages. To find out more including how to change your settings, please see our Privacy Policy Please turn it on so that you can experience the full capabilities of this site. We are currently experiencing high order volumes which may result in delays in delivery time. See Full Shipping Terms Predrilled holes in the legs allow for solid mounting to a garage floor or ute tray for portable tyre changing. The tyre changer offers two main functions, once the air has been removed from the tyre the bead breaker allows you to loosen the tyre off the rim. Position the tyre over the angled retainer, adjust the breaker shoe to sit perpendicular with the wheel face when located in the bead, slide the demount bar into the breaker assembly and apply downwards pressure. Repeat this around the edge of both the front and rear bead. Once complete the wheel can be mounted on the main changer and the demount bar can be used to lift the bead over the edge of the rim. Prices displayed inclusive of discount. Some In Store prices may vary. The range includes manual, semiautomatic or superautomatic bike and car tyre changers, changers for inner tube or tubeless wheels as well as for wheels with a diameter of between 14 and 58" and sports alloy rims. The materials and manufacturing technique employed mean John Bean's manual changers are longlasting, reliable and easy to use. The advanced technology of the most automated models means the tools taking care of the various operations necessary for a quick and precise tyre change are perfectly synchronised.

WDK certified. All rights reserved. Advanced Gday Sign in to bid or buy eBay Deals Coles on eBay Help Sell Watch List Expand Watch list Loading. Something went wrong. Automotive Tyre Balancing Machin. Pneumatic Automotive Tyre Tyre C. Pneumatic Automotive Tyre Change. User Agreement, Privacy, Cookies and AdChoice Norton Secured powered by Verisign. Page Automotive Coimbatore Elite Car Spa Equipments Saravanampatty, Coimbatore Tyre Width 13 inch read more. CORE AUTOMOTIVE EQUIPMENTS PN Palayam, Coimbatore New Tech Garage Equipments Maniyakampalayam, Coimbatore Get Best Deal I agree to the terms and privacy policy Brochure Force Auto Solutions Coimbatore Ask our expert Speak your question Please enter your question. Eskay Engineering Systems Peelamedu, Coimbatore SMS Industrial Equipment Uppilipalayam, Coimbatore Rim Width Upto 320 mm Operating Pressure 810bar Power Supply Electric Voltage V 220 to 240V read more. Schumak Equipment India Private Limited Kanuvai, Coimbatore. Priosch Automation Saravanampatti., Coimbatore Get Best Deal I agree to the terms and privacy policy Ats Elgi Limited Industrial Area, Coimbatore. Features Defect free Modern

technology Safe in use read more. Blue Chip Technologies Karumathampatti, Coimbatore MM Engineering Tatabad, Coimbatore Orient Body Shop Solutions India Private Limited Coimbatore Get Best Deal I agree to the terms and privacy policy Features Compatible High demand Effectiveness read more. Kirthikai Agencies Coimbatore Have a question Ask our expert Get Best Deal I agree to the terms and privacy policy All rights reserved. We have cheap tire changer, discount garage equipment, tyre changer for sale and more to meet your needs. MadeinChina.com has you covered and makes it easy to search for all kinds of Manual Tire Changer and suppliers in China. Having any problem with sourcing. Just contact us and feel free to ask any question! See Full Shipping Terms.

<http://atlantichomeportugal.com/wp-content/plugins/formcraft/file-upload/server/content/files/162735e038cd40---brightstar-remotes-br100p-manual.pdf>

Pre drilled holes in the legs allow for solid mounting to a garage floor or ute tray for portable tyre changing. The tire changer features all steel construction for durability. Collections Automotive Equipment, New Products Type Tyre Changer. In stock and ready to sell as a combo . The TC 10 is our most cost effective tyre changer, used a lot by race car drivers, enthusiasts and small workshops that don't have time to take tyres to other shops and wait for the job. It can be fitted with the optional top assist arm for difficult tyres such as low profile tyres. It can be fitted with the optional top assist arm for difficult tyres such as low profile tyres. Standard six speed car in the VXII specific hero colour Hyper Yellow. Absolutely unmodified, from intake to exhaust, shocks to speakers. Other than the almost two decades of wear and tear, it goes, stops, steers and sounds exactly how HSV intended. Bluetooth Set of 5. ARB air lockers front and rear. Kings Winch. Xrox bull bar. Safari snorkel. Steinbauer diesel performance chip Tow bar Kings spot lights. Steel tray Icy cold aircon Cons. Will need clutch in the future isn't slipping tho Immaculate interior Sanitised, brushed, wiped down, steam cleaned, vacuumed Exterior has minor paint chips and scratches but overall in excellent condition. Extremely smooth and comfortable to ride and surprisingly nimble considering its almost 380kgs. This is perfect for the mobile, farm or rural fitment centre's. It looks like a semi automatic tyre changer and the four claws is controlled by a wrench that can clamp wheels with inside or outside clamping techniques. A tyre's bead is broken by means of downward force on the bead breaking attachment. The turn table use a 90 degree movement to remove the tyre from the rim. Able to be fixed to the floor inside and outside to avoid damage. EASY TO WORK Having the advantage of the lever arm system, portable tyre changer mount and take off the tires more easily.

Recommended for removing the vacuum tire of small cars. HIGH QUALITY Rugged metal construction and electroplated paint make it wear resistant, durable and sturdy. We'd love to help you out. A tire is an essential component of a vehicle and there are so many types of tools for changing tires. In this guide, my focus will be on the best manual tire changer. If you can find the ideal, then you will save money, by easily changing tires from the comfort of your home. The manual tire changer is usually easy to use and you do not need to be an expert in doing this. With the various models on the market, you may not know which one to buy. In this article, I will focus on top manual tire changers in 2020. I have considered the devices that are easy to use and are comprehensive. In these reviews, you will find that the models I have reviewed make work easier and will give you precise results. Stay with me and learn about the best manual changers that you should buy and some other essential tips and tricks. In hurry! Then here is our top 3 manual tire changer for you. Best Overall STKUSA Aluminum Manual Tire Changer Here are my top picks, with reviews 1. Goplus Manual Tire Changer If you have tires from 17.5 inches to 24 inches, buy this manual tire changer to have. The fact that it is manually operated means that it will save energy. This comes as a 3 piece tool and as such, you can easily carry it in the trunk of your car. It is constructed with carbon steel, which is drop forged and has a powder coated and glossy finish. This will be a great set to have as it will make your life easier and it is made to last. This will work with most bias ply and radial tires and as such, it is best suited for truck and bus tires. It is rust resistant

and comes with versatile features. The bead will be protected by the nylon rollers on this tool and this prevents damage to your tires.

Highlighted features Made of carbon steel, which is dropforged, hence it is strong and durable Features effective nylon rollers that will protect the bead of your tires Works on 17.5 inches to 24 inch tires Demounts tires in a matter of seconds Can be used for most bias ply and radial tires Check Price On Amazon 2. Mophorn Manual Tire Spreader Portable Tire Changer This portable manual tire spreader is useful and quite efficient. There is an advantage in that it comes with a stand that is adjustable. The tire spreader will be useful for those with light trucks and cars. When repairing tires, use this tool to fix the spreading. The essence of this tool is to make the tire fixing process fast and easy. It has quite a wide platform, which will give you enough space, which is quite stable. There are two main components of the tool; it has a rack and a body, which can actually be used independently. It offers great convenience in that you will adjust the tool to fit the desired tire width. That's why this is the best manual tire changer for you. Highlighted features Can accommodate 13.78 inches of tire width There is a wide and stable work surface, which can be adjusted in different angles The platform can swivel to 360 degrees This tire spreader can be used on all tires for light trucks and vehicles Check Price On Amazon 3. STKUSA Aluminum Manual Tire Changer Are you searching for the right tire changer for large tires. Then this is a great option to consider. This is a tire mount and demount tool set, which simple, but quite effective. All you need is to ensure that you have a sturdy base when carrying out the operation. This is among the tools that is assured to give you exceptional performance when changing tires. This is a tool kit that is specially designed for large tires as you can use it with tires from 17.5 inches to 24.5 inches. With the solid steel and aluminum construction, you can rest assured that it is ranked among strongest and most durable tools.

There is truck beat protection feature and will work on bias ply radial as well as super single tires. Highlighted features Works on super single tires to a maximum of 315 You can use this to demount tires from 17. It is a durable manual changer and quite effective in changing tires. It has rugged steel parts and this is what guarantees you durability. With this tool, it is much easier to change tires, conveniently, like a pro. This model has the capacity to handle tires from 8 inches. It is a portable and lightweight model, which means that you can carry it around anywhere. The tire changer is quite stable as it has a wide base that gives you excellent support. Whether you have tire shop or want to change tires from the comfort of your home, this manual tire changer is ideal to invest in. You can use it for all tires that are more than 16 inches, in diameter. When you need to use it, ensure that you have it on a solid and even surface so as to get the best results. It comes with long handle giving you an excellent breaking force. With the tool, you will change tires fast and easy. It is a portable model as it only weighs only 16.4 pounds. You can use it anywhere, including offroad areas as it is strong. The tire changer is constructed of superior iron will give you a long service life. Its compact design makes it easier to store and carry it. Highlighted features Easy to change tires Not take up much space as it has a compact size lightweight and portable Works on tires from 16 inches and above Check Price On Amazon 6. Northern Industrial Portable Mini Tire Changer If you need a mini tire changer, then go for the Northern Industrial Portable Mini Tire Changer as it has all that you would need in a manual tire changer. The good news is that it is quite versatile as it works for all smaller tires. The compact size and light weight makes it convenient to use it anywhere that you may prefer. It has an effective handle, which makes it easier to change tires.

With this model, you can work on tires with 50MM to 295MM center holes. Any tires with rims of 4 inches to 12 inches can be changed using this compact tire changer. While it is may be smaller in size, it is strong enough to break the toughest beads so as to mount or demount the tires. Highlighted features A compact tire changer, which is light and portable Easily breaks beads to mount and demount tires easily Quite gentle on aluminum rims Comes with 2 bead breakers Will

accept center hole from size 50mm to 295mm Check Price On Amazon 7. TRIUMPH Manual Tire Changer This is a double deal as it comes as a combo package. When you choose to buy this manual tire changer, you will also get a wheel balancer. This can be convenient for personal use as well as for those with a wheel service shop. This a great deal and will save you hundreds of dollars rather than having to buy a tire changer and wheel balancer separately. The tire changer can be used on rims of up to 26 inches. This is a versatile tool as it is also loaded with a Jet Blast Inflation System and an effective bead breaker system. There is a metal and plastic demount head, tire iron, covers for wheel clamp as well as a lube brush and bucket. The wheel balancer has a foot pedal that sets your hands free to handle the tire. Highlighted features 2 in 1 wheel balancer and tire changer There is a foot pedal on the wheel balancer, which will hold the wheel in place Works on rims of max diameter of 26 inches It will handle tires with a maximum diameter of 43 inches Check Price On Amazon 8. Toolsempire Motorcycle Tire Changer Last, but not least is the Toolsempire Multi Manual tire spreader. This is ideal for motorcycles, trailers and light trucks. For all tires with rim sizes of 4 inches to 16.5 inches this would be the best tire changer and tire spreader. It is portable and you can easily carry it around and use it anywhere. This is designed to make the tire changing process fast, easy and safer.

It has heavy duty iron that makes it durable and strong to handle different tasks. It fits most tires of cars and light trucks, as well as motorbikes. The paint used on this tool is of high quality and makes it rustproof and resistant to corrosion. It cleans easily and features a convenient design, which makes it easy to assemble. Highlighted features Versatile as it can used on tires from 4 to 16.5 inches Durable, as it is constructed with iron and is quite stable Quality paint makes the tire changer corrosion and resistant Easy to assemble and use Check Price On Amazon 9. Rabaconda Motorcycle Tire Changer This Rabaconda gives you an easier and quicker way to change your motorcycle tires. It has been tested by more than 80 top riders and factory teams across the planet and holds the world record for helping you change tires in as fast as 44 seconds. It comes with an ergonomic working height which eliminates those backaches or having to work on your knees, making your work easier. Its feet feature rubber padding for excellent grip on just any surface, making your work even easier. This tire changer is ideal for changing all motorcycle tires whose diameter ranges from 16 to 21 inches. The rigid and durable construction enables it to hold up to daily use and last longer than most of the competition. Because of its compact design and easy assembly, this is a highly portable tire changer that you can take with you to any place. The included hardwearing Cordura 1000D carry bag promotes easy, convenient carry. Highlighted features Ideal for tire sizes 16 to 21 inches Rigid, durable construction Ergonomic working height 20inch Comes with tire lever tray for convenient storage Lightweight and compact; highly portable Lifetime warranty against manufacturer defects This particular model comes at an affordable price and is suitable for athome use and will let you change a variety of motorcycle wheels easily.

It features a rugged and durable construction which enables it to take in any form of beating and serve you for years to come. Using it to work on your motorcycle tires is pretty easy. The bead breaker works exemplary well and the rims clamp down easily for easy swapping. Once you get your hang on this tire changer, you'll be doing your tire swaps in a matter of 5 minutes. This is a critical decision, not to mention a huge investment that needs to be considered carefully. In order to make an informed decision, there a number of things that you need to know before buying one. Here are some of the essential considerations Durability of Side Shovel The side shovel is a critical part of your tire changer and it seems to do most of the work. You need to find one that is of a solid construction so as to be sure that it will serve you for a long tie. The heft and size are some of the things that can tell if it is durable. Weight of the Tire Changer The weight comes into play in two main aspects. One is if you need to move around with it, you want to find a portable one. The other is that heavier tire changers tend to be of excellent quality. Breadth of the Tool If you want to enjoy versatility, check the breadth of the tire changer. Which types of tires can it be used for and what

sizes. There are models that can be adjusted to fit a desired breadth. Wheel Protection You do not want to end up with a tire changer that damages your wheels and tires. As such, always go for a brand that has taken wheel protection into serious consideration. If you are running a tire shop, this is important as you do not want to damage your client's tires. Highquality Components There are some components that you need to pay attention to and ensure that they are of high quality. A good tire change needs to have quality lubricators, regulators and filters. This will extend the useful life of the tire changer. Manufacturer's Support Will you get support and assistance from the manufacturer.

<http://superbia.lgbt/flotaganis/1649552432>