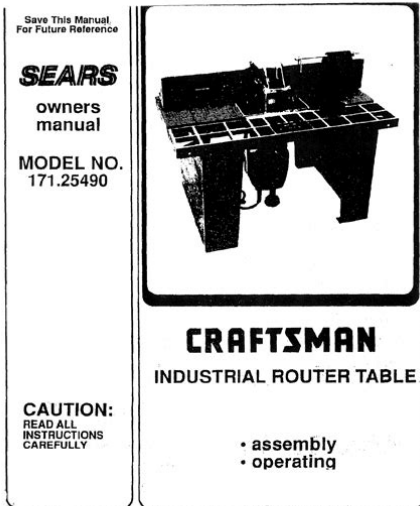


# Craftsman industrial router table user manual



Sold by SEARS, ROEBUCK AND CO., CHICAGO, IL 60684 U.S.A.  
Printed in U.S.A.

49LCN-39

**File Name:** Craftsman industrial router table user manual.pdf

**Size:** 3615 KB

**Type:** PDF, ePub, eBook

**Category:** Book

**Uploaded:** 19 May 2019, 23:35 PM

**Rating:** 4.6/5 from 813 votes.

**Download Now!**

Please check the box below to proceed.



I'm not a robot



reCAPTCHA  
Privacy - Terms

## Book Descriptions:

# Craftsman industrial router table user manual



For Future Reference Learn its application and limitations as well as the specific potential If adapter is used Never remove Wear Safety goggles must comply with ANS Z87.1 Its safer than using your hand, frees both hands to Follow instructions for lubricating and Provide adequate surrounding work space. Nonslip footwear is recommended. Wear protective Roll long sleeves Follow the instructions that accompany Do not store materials above or near the tool such Always wear safety Safety goggles are available at Sears retail or catalog stores. Unitized Fence comes with A specially designed push block with quick clamp An accurate and quick adjusting jointing fence Reversing feature of unitized fence designed to Two guards for operation on either side of the unitized fence. Dust collecting attachment for most shop vac. hook If order to facilitate handling and minimize any damage We know you are anxious If any parts are missing, contact your local Sears retail Leg Pan Head Screw Center Ring Sears Craftsman To remove the insert, place the point of a small screwdriver into the slot with the small tang and pry the insert Unitized Fence With the desired bit in the router, select a table insert When knob is loosened, the jointing fence can slide back The table inserts were designed to be snapped into the Snap Table insert. Into Position. Use Screwdriver to. Remove Table Insert Hex Recess NOTE If the guard does not retract o Position and hold the spring over its hub such that Straight Leg. Spring. Retractable Guard Large Knob You will need to Flat Washer. Slot. Straight Leg of Spring Router Unitized Fence NOTE The unitized fence assembly can be Flat Washer NOTE a. Remove dust and chips from sliding surfaces of push block and unitized fence as Occasional application of furniture spray ONLY will greatly improve the sliding Shoulder. Clamp Plate Face of Unitized Fence NOTE Once the guard has been installed, do not NOTE For maximum suction efficiency, stick a Uncover opening after use. <http://www.mariapitanga.com.br/admin/uploads/food-and-beverage-manual-doc.xml>


- craftsman industrial router table manual, craftsman industrial router table user

manual, craftsman industrial router table user manual user, craftsman industrial router table user manual pdf, craftsman industrial router table user manual download, craftsman industrial router table user manual free.

Save This Manual  
For Future Reference

**SEARS**  
owners  
manual

MODEL NO.  
171.25490



**CRAFTSMAN**  
INDUSTRIAL ROUTER TABLE.

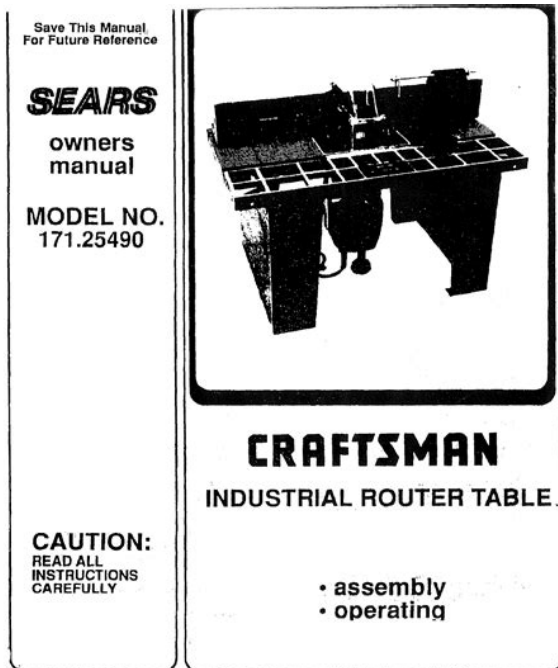
- assembly
- operating

**CAUTION:**  
READ ALL  
INSTRUCTIONS  
CAREFULLY

Sold by SEARS, ROEBUCK AND CO., CHICAGO, IL 60684 U.S.A.  
Printed in U.S.A.

49LCN-39

FOR ALL OPERATIONS REQUIRING USE OF FRONTSIDE OF UNITIZED FENCE, connect shop vac as Assenije protractor head to miter bar as shown in Fig. If not, loosen large Tighten both Large Knobs Clarity. Scale. Outermost Cutting Ec Clarity. Small Knob on. Jointing Fence NOTE For best jointing results, take very shallow Tighten small knob. For maximum strength and accuracy, boards to be You can true NOTE The jointing fence provides a continuous It compensates for Table Front NOTE The procedure described above is Workpiece to be routed could be substituted for If not, loosen small knob Tighten knob on jointing Jointing Fence. Flush with. Unitized Fence. Table Front. NOTE If you have purchased RAIL AND STILE. CUTTERS Sears Craftsman 21 257 for NOTE Feed work in the direction of arrow shown NOTE If you have purchased a MOLD MAKER. BIT SET Sears Craftsman 21 255 for MODE for making the first cut on your. Door Frame Thickness. Must Not Be More NOTE The push block and clamp plate assembly will When bits with pilots are used to control the cutting Line A for FULL DEPTH. OF CUT total amount of. Positioning the unitized fence as close to the pilot as Wing Nut. Workpiece Side Flush. Against Face of. Unitized Fence. Table Front 11. Push Block. Outermost. Cutting Edge Z VERTIGHTEN 5iding in the Ys dx steps in the While holding push AT SAFE DISTANCE ABOVE GUARD AND SPINNING BIT, feed workpiece across the bit to make Unclamp workpiece, and slide push block back. Edge of Workpiece Flush Against. Face of Unitized Fence For maximum accuracy, one edge of your workpiece Tenon Surface Table Top Back Side of. Unitized Fence. Your protractor will serve as a handy aid when extra support is needed for routing small workpieces or ends of. Router Bit NOTE Test cut a piece of scrap wood before making your finish cut. Feed workpiece in the Miter Bar Slot No. Part No. Key. No. Quan. Description. Part No. Description. Quan. <http://ufcnagykanizsa.hu/userfiles/food-and-beverage-server-manual.xml>



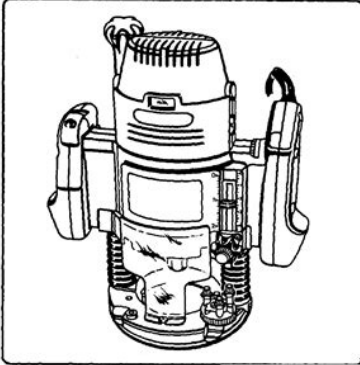
Sold by SEARS, ROEBUCK AND CO., CHICAGO, IL 60684 U.S.A.  
 Printed in U.S.A.

49LCN-39

The extensions CANNOT be used with the 25457 and Eight screws, nuts, and lockwashers are packaged with Router Tables because those Router Tables come with a Table has already been assembled and used proceed as Make sure that the The screws, that. If you do not already have it, If you find the information on this web Donations can be made through VintageMachinery.org does not provide support or parts for any machines Please remember that safety standards have It is up to the individual user to use The VintageMachinery.org. Please choose a different delivery location. Our payment security system encrypts your information during transmission. We don't share your credit card details with thirdparty sellers, and we don't sell your information to others. Please try again. Please try again. Please try again. This is NOT an original as originals are out of print, but we use the best scans available. Plastic Comb Bound with clear plastic on front and back covers to help protect manual. All manuals are in public domain or printed with permission. Then you can start reading Kindle books on your smartphone, tablet, or computer no Kindle device required. In order to navigate out of this carousel please use your heading shortcut key to navigate to the next or previous heading. Register a free business account To calculate the overall star rating and percentage breakdown by star, we don't use a simple average. Instead, our system considers things like how recent a review is and if the reviewer bought the item on Amazon. It also analyzes reviews to verify trustworthiness. Please try again later. Mary Nagy 5.0 out of 5 stars. Stick486 Last Post By, ago 01272016 0656 AM by JIMMIEM Last Post 1 1,696 1 Attachments Posting Rules. Routerforums.com Recent Discussions 10 2 Attachments Suggestion for method of.

Today 0503 PM by Nickp 50 9 Attachments Dado Stack Question Today 0457 PM by DaninVan 4 4 Attachments HoldDowns Today 0417 PM by difalkner 2 Sharpening videos Today 0315 PM by Nickp 22k 105 Attachments Use my last word. Today 0237 PM by Charlie68 4k 733 Attachments Joke a Day Today 0132 PM by Herb Stoops 1k 451 Attachments Ghost Town. Something went wrong. View cart for details. Sell on eBay Sell Router Tables User Agreement, Privacy, Cookies and AdChoice Norton Secured powered by Verisign. Please email us if youre running the latest version of your browser and you still see this message. The actual Open Box product may differ in packaging and included accessories, but has been tested to ensure basic functionality. Most customers receive within 49 days. New, Bulk Packed. Genuine OEM replacement part. Consult owners manual for proper part number identification and proper installation. Please refer to list for compatibility. Replaces obsolete part s and 3072501. Compatible with Craftsman 315265030 Router Table Click

here for more details. Secure shopping made faster. Check out with PayPal. Some manufacturers place restrictions on how details of their products may be communicated. Some manufacturers place restrictions on how details of their products may be communicated. Some manufacturers place restrictions on how details of their products may be communicated. Some manufacturers place restrictions on how details of their products may be communicated.

<b>SEARS</b>	
OWNER'S MANUAL	
MODEL NO. 315.275110	
<b>CAUTION:</b> Read and follow ALL safety rules and instructions before operating this equipment.	
Save This Manual For Future Reference	<b>CRAFTSMAN</b> <b>Industrial Electronic</b> <b>Plunge Router</b> <b>Double Insulated</b>
Thank You for Buying Craftsman Tools	Warranty Introduction Unpacking Features Adjustments Operation Maintenance Repair Parts
	

972000-290  
10-00

Sold by SEARS, ROEBUCK AND CO., Hoffman Estates, IL 60179 U.S.A.

Printed in U.S.A.

<http://eco-region31.ru/boss-manual-gt-10>

<https://pavlosfysakis.com/images/a-class-audio-20-manual.pdf>

**SEARS**

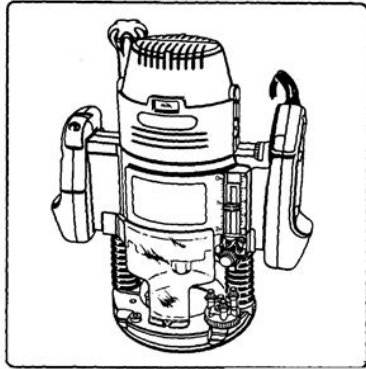
OWNER'S  
MANUAL

MODEL NO.  
315.275110

CAUTION:  
Read and follow  
ALL safety rules  
and instructions  
before operating  
this equipment.

Save This Manual  
For Future Reference

Thank You for Buying  
Craftsman Tools



**CRAFTSMAN**  
**Industrial Electronic**  
**Plunge Router**  
**Double Insulated**

Warranty  
Introduction  
Unpacking  
Features  
Adjustments  
Operation  
Maintenance  
Repair Parts



972000-290  
10-01

Sold by SEARS, ROEBUCK AND CO., Hoffman Estates, IL 60179 U.S.A.

Printed in U.S.A.

<https://otthonok.com/images/a-christian-growth-and-discipleship-manual-volume-1.pdf>



<https://www.lumisolar.pe/wp-content/plugins/formcraft/file-upload/server/content/files/16286bebaccbbc---cadac-global-bbq-manual.pdf>

<https://localhost/travestismexico/paneldecontrol/files/cap-encampment-manual.pdf>

<http://www.bosport.be/newsletter/boss-manual-rc-2>