



File Name: craftsman quiet cut mower manual.pdf

Size: 1828 KB

Type: PDF, ePub, eBook

Category: Book

Uploaded: 29 May 2019, 19:33 PM

Rating: 4.6/5 from 826 votes.

Status: AVAILABLE

Last checked: 13 Minutes ago!

In order to read or download craftsman quiet cut mower manual ebook, you need to create a FREE account.

[**Download Now!**](#)

eBook includes PDF, ePub and Kindle version

[Register a free 1 month Trial Account.](#)

[Download as many books as you like \(Personal use\)](#)

[Cancel the membership at any time if not satisfied.](#)

[Join Over 80000 Happy Readers](#)

Book Descriptions:

We have made it easy for you to find a PDF Ebooks without any digging. And by having access to our ebooks online or by storing it on your computer, you have convenient answers with craftsman quiet cut mower manual . To get started finding craftsman quiet cut mower manual , you are right to find our website which has a comprehensive collection of manuals listed.

Our library is the biggest of these that have literally hundreds of thousands of different products represented.



Book Descriptions:

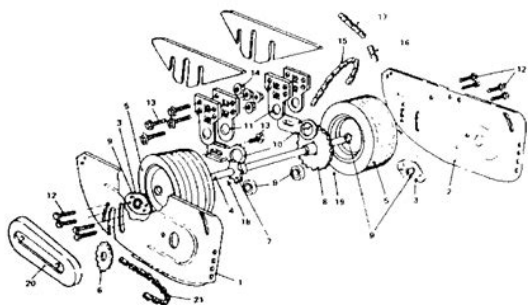
craftsman quiet cut mower manual



Please try again. Please try again. In order to navigate out of this carousel please use your heading shortcut key to navigate to the next or previous heading. Register a free business account Full content visible, double tap to read brief content. Please try your search again later. This mower is built with a durable steel body to stand up to everyday conditions along with a lightweight design to reduce user fatigue. To calculate the overall star rating and percentage breakdown by star, we don't use a simple average. Instead, our system considers things like how recent a review is and if the reviewer bought the item on Amazon. It also analyzes reviews to verify trustworthiness. Please try again later. Frequent Amazon Shopper 4.0 out of 5 stars Blades are very sharp. Would not want to try on a large backyard, or any yard with a significant slope. Loading assistance will not be provided. Please bring appropriate help and tools to safely and securely load items into your vehicle. We will be in touch within 48 hours of purchase to schedule your nocontact, curbside pickup from the Lexington Habitat ReStore location at 451 Southland Drive, 40503. Staff are only able to respond to inquiries and schedule your pickup Mon.Fri. between 9am-4pm. No warranty of fitness is expressed or implied. Customers are responsible for determining that items are fit, safe and usable under current building codes. All online sales are final. There will be no refunds or returns during this time. Lexington Habitat for Humanity Administrative Offices. How to Adjust a Husqvarna 51 Carburetor How to Put the Chain on a McCulloch Chainsaw How to Replace Cutting Blades on a

Husqvarna GTH220 Properly adjusting the blades of your manual push reel lawnmower ensures that it cuts grass blades cleanly without any tearing that can open the grass to disease. Reel mowers have five twisted cutting blades arranged in a cylinder. <http://iucecb.com/files/ford-390-rebuild-manual.xml>

- **1.0.**



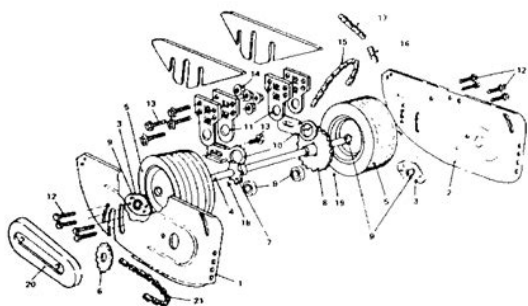
As you push the lawnmower, the blades spin and cut the grass against a fixed position cutting bar at the base of the mower. The blades and cutting bar must be positioned close together without touching. When adjusted correctly, the blades can cut a strip of paper cleanly, just as you would cut it with a pair of scissors. 1 Set the reel mower on a table or work bench for easy access to the reel. Chock the wheels with small wood blocks to prevent them from moving and turning the cutting blade cylinder. 2 Spin the reel with your hand to determine the type of adjustment required. If you hear a metal scraping sound, adjust the blades away from the horizontal cutting bar. If the reel spins freely, move it closer to the cutting bar. 3 Locate the four adjustment screws on the reel mower. There is one screw on either side of the reel, and one screw on either side of the cutting bar. 4 Insert a flat screwdriver in the screw slots on the sides of the blade reel. Tighten the screw to move the blades closer to the cutting bar, if needed. Loosen the screws to move the blades away from the cutting bar. Turn the screws only a fraction of a turn so the adjustment is slight. 5 Turn the screws on either side of the cutting bar in the opposite direction from how you turned the blade reel screws. If you tightened the screws to move the blades closer to the cutting bar, loosen the cutting bar screws. If you moved blades away from the cutting bar, tighten the cutting bar screws. Turn the cutting bar screws to the same degree as you turned the blade reel screws. 6 Spin the blade reel to determine if further adjustments are needed. Turn the adjustment screws a little at a time until you achieve the proper position. 7 Cut a piece of paper into strips about 2 inches wide. Slide a paper strip up between the cutting bar and blades. Turn the reel slowly so the first blade passes over the cutting bar. If the blade cuts the paper cleanly, no further adjustments are needed. <http://metabolit-plus.ru/files/file/ford-3600-tractor-repair-manual.xml>



Push the paper up and turn it slightly to check the performance of the other four blades. Adjust the blades further until each blade makes a clean cut on the paper. Things Needed Flat screwdriver Paper strips Warnings Move your hands out of the way quickly when you spin the reel to check for contact with the cutting bar. Use a new strip of paper if the paper strip becomes too short to hold it in place while keeping your hand clear of the blades. Tips The slightest turn of the adjustment screws makes a major change in the blade and cutting bar position. You might find it easier to use a ratcheting socket wrench to adjust the screws because you can count the number of clicks with each turn of the screw. Screw sizes might vary, but usually require an 11mm socket. Although there are numerous makes and models of reel mowers, the position of the adjustment screws is relatively consistent among all of them. Your user's manual can provide specific information if you have difficulty identifying the adjustment screws. She received her Bachelor's degree from West Virginia University. Her work has been published in the San Francisco Chronicle and on other websites. Related How to Maintain Push Reel Mowers How to Break in a New Stihl Chainsaw How to Adjust the Chain on a Poulan 2000 Chainsaw How to Measure Saw Blade Tension How to Adjust an Eclipse Push Mower How to Adjust the Chain Saw Tension on a Husqvarna 335 Most Popular Proper Way to Align Mower Blades How do I Mount New Blades on Mower Deck. How to Replace the Blade on an Edger Attachment String Trimmer How to Adjust the Cutting Height of a Toro Recycler Which Size Wrench Do I Need to Change the Blades on My 44-Inch Cub Cadet. Gramps is pushing a reel mower across his front yard, wearing a Pendleton shirt and a pair of khakis. I hear the snicketysnickety of the blades. I smell cut grass. He lets me carry the grass catcher and dump it in the trash this is precompost era. Gasguzzling, airpolluting lawnmowers.

A gaspowered mower spews more pollution than eleven cars and is responsible for 5% of the greenhouse gases produced in the U.S. Just as bad, homeowners spill more than 17 million gallons of

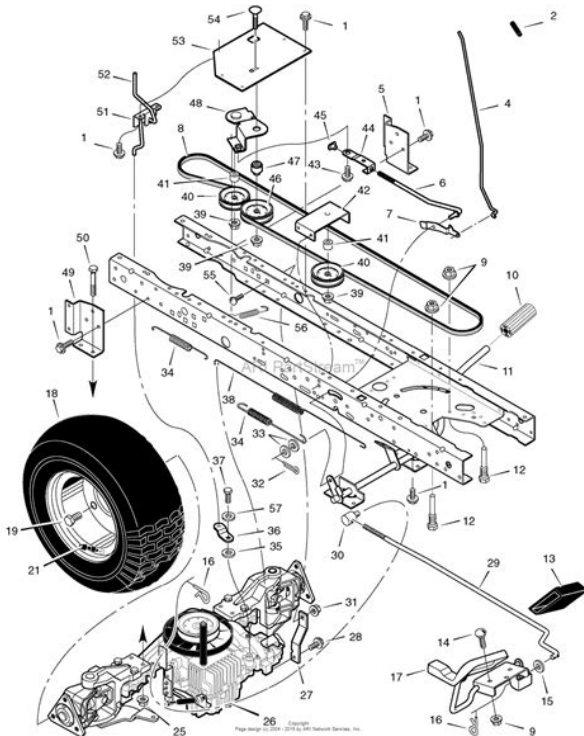
gas a year topping off their lawn and garden equipment. That's more than the Exxon Valdez. Instead of rotating blades that chew up and whack off the top of the grass, the reel mower's blades act like a pair of scissors that snips off the top. Check out the difference between a rotary mower's cut on a blade of grass vs. On the right, well, not so much. A clean cut heals faster and reduces the chances of disease. No kidding. Just as the average house has doubled in size since the 1950s, so have lawns. Mowing a giant lawn with a 18inch reel mower is probably out of reach for many people, or at least we think it is. Pushing a reel mower is a nice workout, but we are a sedentary society. The idea of pushing a reel mower is puzzling to people. It takes longer. We don't have time, or at least we believe we don't have time. Brett has done some work on this topic already and outlined for us the benefits of using a reel mower — and he owns and uses one himself. Then, reel mowers make a lot of sense. They're smaller, easier to store, quiet, require very little maintenance, and have a genteel aesthetic sitting in your garage or garden shed. But another option is to recycle an old reel mower by giving it a tune up. The good news is that old mowers are usually built like Sherman tanks. Quality steel blades retain their strength; all the mower needs is a good cleaning and honing. I bought it from an old guy who had it at a garage sale. I took it home and stuck it in my garage to acclimatize to its new home. Today, I'll walk you through how it's done whether you're restoring an old gem or maintaining one you've had awhile. The rest of the mower exists to support these two parts.



Wheels drive a gear that spin the blade mechanism, which consists of a series of 5 to 7 blades mounted in a helical fashion. The angle helps snip the grass better. A roller behind the bed knife allows you to adjust the height of the cut. Not only is this not necessary, it has the ability to ruin the mower. You need a tight clearance to cut. Filing blades and bed knives is like trying to sharpen scissors in the same manner. No bueno. Since reel lawn mower blades work like scissors; they're not necessarily as sharp as they are exact. The edge of the blade needs to be true and close to the bed knife. That's what lapping does. A lapping kit consists of a container of lapping compound and a crank. The lapping compound is basically a heavy duty abrasive, but suspended in a thicker goo so it doesn't come flying off the blades when you spin then. Remove whatever covers the attaching mechanism. Sometimes it's a nut, sometimes a cotter pin, and in my case, a retaining ring. Whatever it is, remove the wheel and you'll see the gear that drives the blades. Now you will see the shaft that drives the blades. This is done several different ways on different mowers. Usually it's some sort of combination of a threaded rod and a bolt, although some use a screw and a retaining bolt. Whatever it is, adjust the blade so that it contacts the bed knife equally across the whole width of the blade. Note if a blade is bent badly so that it hangs up on the bed knife when the others spin freely, a few taps with a hammer or a twist with a pair of pliers can restore the blade, but avoid it if possible. Most of the time the engine you can't generate enough power to bend the blades while moving, so they're usually straight. That's good. It means the blades are a little too close to the bed knife. Time to change that. You don't need much, just a bead across each of the blade edges. That's right, you

want to knives to sharpen backwards.

<http://crzelektrik.com/images/comfort-glow-gas-logs-manual.pdf>



The lapping compound between the bed knife and blades does its job as the blades run so the cutting edges never meet. Ten minutes, maybe. Reapply lapping compound. Crank some more. You'll start to see a flat, shiny surface on the blades where the compound has abraded away the surface and created a precise edge matched to the knife bed. Add more compound, keep cranking. At this point below you can see the start of a shiny edge, even though there's still some corrosion showing. That's okay. Reconsider your cranking abilities. I did, and rigged up a cordless drill with a little juryrigged socket and a piece of inner tube. Whatever works. Making sure the drill was on low and running backwards, I started slow and ran the blades for a minute, added more compound, and ran the blades for a little longer and a little faster. You'll hear a difference as the lapping progresses; the scraping sound lessens as the blades are honed and material removed. Once I saw a shiny finish along each blade, I was done. If there are any spots that look like they're not quite as clean as other surfaces, you can add more compound and adjust the bed knife so it is closer to the blades. Don't worry, you're not going to run out of blade. My mower didn't need a second lap. You want the gap between the bed knife and the blade to be less than a piece of grass or it won't cut anything. I'm talking very small backoff, maybe a few thousandths of an inch. It should cut like scissors. If it doesn't, adjust the knife bed until it does. Chrome polish, steel wool, and a little gun oil on the blades, and a good old toothbrush with some Simple Green can clean it up real nice. Paint the fenders and bars if you want to. Replace the grips on top. Use motocross hand grips if you want to be badass. Push it across some nice green grass, listening for the snicketysnickety that was so familiar to Gramps. A Pendelton shirt and khakis might just complete the picture.

<https://www.kroatien-croliday.de/images/comfort-glow-fireplace-manual.pdf>



If you continue to use this site we will assume that you are happy with it. Ok Privacy policy. Of course, I've been guilty of similar warmweather transgressions, revving my Sears Craftsman vintage 1987; sound level Boeing 747 at dawn on Saturdays, oblivious to those sound sleepers who completed their lawn duties the night before. Is there hope for more peace and quiet in suburbia. There could be, if certain trends in lawn care hold up. That's up from 155,000 reel mowers sold in 1990 and a mere 84,000 in 1985. Before World War II, almost everyone who had a lawn used the reel mower. Then postwar homeowners switched to the gaspowered rotary mower, which seemed to give a better cut with greater ease. Manual push mowers were disdained as clunky and oldfashioned. In recent years, design and material changes have made reel mowers lighter and smoother to operate. The manual mower, of course, has a long way to go before it wins the counterrevolution in 1997, 6.8 million walkbehind and riding power mowers were sold. But for those who wish to pamper their lawn, reel mowers are the best option, according to many horticultural experts. Although the U.S. Environmental Protection Agency is phasing in regulations that are expected to reduce emissions by about 75 percent in rotary models produced by the year 2005, the machines still make noise and emit fumes that annoy homeowners. They also need annual tuneups at a service center, unless you are mechanically minded enough to do them yourself. Martha Collins of West Hyattsville has the type of lawn that reel mowers were made for small 200 square feet. She also grows a warmclimate grass, zoysia, that can take a lower cut than many of the coolclimate varieties. Her 16inch mower also is easier to store and maneuver than a gaspowered machine. Still, to get the best performance, you must pay attention to your lawns needs and the limitations of a manual cutting machine. Reel mowers work best when grass is dry and has been cut frequently.

You cant whack down that eightinchhigh spring jungle grass with a manual mower. The answer is to mow the lawn before it gets above four inches high, although this is not always possible if the owner

is traveling or spring rains delay the first mowing of the season. Experts recommend that most of the turf grasses used in the Washington area be kept at a height of three inches. Don O'Meara, owner of Alpha Lawn Garden Equipment in Falls Church, urges customers to spend a little more and get a better quality reel mower. The reel mowers produce a cut so clean and neat that some people use them to trim their home putting greens, said Strosniders lawns shop manager Jeff Lemon. Appliances All Appliances Large Appliances Small Appliances Vacuum Cleaners More categories. Wirecutter is reader supported. When you buy through links on our site, we may earn an affiliate commission. Show more After researching new models in early 2020, we stand by the Scotts 200020 20 Inch Classic Push Reel Lawn Mower as the best reel mower, and the Fiskars 18 Inch StaySharp Max Reel Mower as a runner up. The new mowers we considered and dismissed are in the competition. Show less Your guides Ed Grabianowski Doug Mahoney Share this review Reel mowers aren't for everyone. They're designed for small, flat lawns, and they take some effort to push around. But they provide exceptional cut quality and a completely unplugged mowing experience, so they offer things no other mower can. After researching reel mowers for more than 50 hours, talking to a professor with a PhD in turfgrass science, and testing four mowers with a golf course grounds crew, we think the best one is the Scotts 200020 20 Inch Classic Push Reel Lawn Mower. Our pick Scotts 200020 20 Inch Classic Push Reel Lawn Mower For the healthiest grass The Scotts makes the cleanest cut, has the widest cutting path, and jams the least of any reel mower, and its unusually tall 3 inch max cutting height makes it more versatile for different grass types.

<https://www.taxiserviceh24.com/wp-content/plugins/formcraft/file-upload/server/content/files/1628787fb38213---Calcolo-imu-manuale-terreni.pdf>

The Scotts branded mower had the best cut quality of any of the mowers we tested, and its unusually tall maximum cutting height of 3 inches makes it a versatile choice for different types of lawns and grasses. It has a 20 inch cutting swath—the widest available—and at 34 pounds, it's light and easy to maneuver. It was also the only mower in the group that didn't jam during testing. We've revisited this category several times since 2014, and the Scotts mower still remains our top pick. The company did release a new version in 2018 that includes a grass catching bag and blade sharpening kit, but the mower itself is otherwise the same. Advertisement Also great Fiskars 18 Inch StaySharp Max Reel Mower Good cut, less elegant This mower cuts almost as well as our main pick and has a taller cutting height, but it's bulkier making it harder to turn around and more expensive. If our main pick is sold out or otherwise unavailable, we also really like the Fiskars 18 Inch StaySharp Max Reel Mower. This updated model replaces our former pick, the Fiskars model number 6201935J. What's new a design that can throw grass forward, as it could before, and also through the rear of the blades. That, along with updated front wheels, should make it easier to maneuver. Its 4 inch cutting height is higher than any other reel mower's. In testing, the former model didn't handle tall grass quite as well as the Scotts, and it didn't cut as nicely. The Fiskars is also heavier and bulkier, making it more of a chore to turn around, and it costs more than the Scotts. Everything we recommend Our pick Scotts 200020 20 Inch Classic Push Reel Lawn Mower For the healthiest grass The Scotts makes the cleanest cut, has the widest cutting path, and jams the least of any reel mower, and its unusually tall 3 inch max cutting height makes it more versatile for different grass types.

Also great Fiskars 18 Inch StaySharp Max Reel Mower Good cut, less elegant This mower cuts almost as well as our main pick and has a taller cutting height, but it's bulkier making it harder to turn around and more expensive. The research Collapse all Why you should trust us Who should get a reel mower How we picked and tested Our pick Scotts 200020 20 Inch Classic Push Reel Lawn Mower Flaws but not dealbreakers Runnerup Fiskars 18 Inch StaySharp Max Reel Mower Care and maintenance The competition Sources Why you should trust us We spoke with Jason Kruse, assistant professor of environmental horticulture and turfgrass specialist at the University of Florida. As his bio states, Kruse's responsibilities include "managing the University of Florida turfgrass Envirotron

teaching and research facility, planning and implementing turfgrass educational field days and leading the statewide turfgrass teaching design team.” The guy knows a lot about grass. For testing, we enlisted the aid of the grounds crew of the Diamond Hawk Golf Course in Cheektowaga, New York, a bunch of people who are serious about mowing. While using the mowers, they picked up cut blades to carefully examine how cleanly the mowers cut; they also bent down to compare the color of the turf after each one made a pass, and pushed all the mowers around on various lengths of grass. Here at Wirecutter, we’ve been covering lawn equipment since 2014. As for the specific topic of grasscutting implements, we’ve written extensive guides to both lawn mowers and string trimmers in addition to reel mowers. Since the first version of this guide, we’ve recommended the Scotts as well as the runnerup Fiskars, and we’ve continued to use both models in assorted locations, paying attention to their longterm performance and any ongoing maintenance needed. Who should get a reel mower Before getting a reel mower, you should be aware of their pros and cons.

In the hands of the wrong person, a reel mower will be nothing but a hairpulling frustration, and you may find yourself pining for the days of a more traditional mower. Simply put, a reel mower is not a direct replacement for a regular mower. While reel mowers are good for the overall health of the lawn as well as the person pushing them and need little maintenance, they require much greater diligence in keeping to a mowing schedule, and they work best for small, flat lawns. Any deviation from that can start to cause problems. Simply put, a reel mower is not a direct replacement for a regular mower. It makes mowing feel more like a pleasant way to spend time outside and less like something I need to grit my teeth and power through.” On the other hand, a second longterm tester stated that he regrets purchasing a reel mower and has “frequently considered selling it to get a cheap electric mower.” Compared with a regular walkbehind mower, reel mowers are better for the lawn’s health. They snip the grass blades like scissors, while rotary mowers tend to shred grass blades. According to University of Florida assistant professor of environmental horticulture Jason Kruse, “The scissorcutting action of the reel mowers results in less damage to the leaf tissue, which in turn puts the plants under less stress.” He continued, “They lose less water, are less susceptible to disease, and generally look better when cut with a reel mower.” The rougher right end of this blade of grass was cut by a gaspowered rotary mower, whereas the smoother left end was cut by a reel mower. Reel mowers are also good for the operator’s health. Because you handpush the mower and it isn’t motorized, it takes effort to use, especially if you have a large lawn. Keep in mind that the turning wheels are what rotate the blades, which adds to the resistance. So the task is not as simple as, say, pushing an empty furniture dolly, where you’re pushing the wheels and nothing else. According to a Livestrong.

com article, which in turn credits Harvard Medical School, among others a person weighing 175 pounds would burn approximately 251 calories by pushing a reel mower—which the article refers to as a hand mower—for 30 minutes. This is 51 calories more than someone weighing 185 pounds pushing a mower with a powered blade for the same amount of time. Anyone with more than a quarter of an acre roughly 10,000 square feet will find weekly mowing with a reel mower exhausting. Reel mowers also require minimal maintenance and are much, much quieter than regular mowers. Aside from lubricating and sharpening the blades every few years, you don’t have a lot of upkeep to do on a reel mower. As for the noise, many users of reel mowers cite the gentle snipping sound the tool makes as a key benefit. Gas mowers, on the other hand, require gas, regular tuneups, oil changes, and winterizing. They’re also noisy and smelly. So reel mowers are quiet, peaceful, healthy, and good for your lawn. But they have downsides too, of course. First, for a reel mower to be practical, you need a fairly small lawn. Anyone with more than a quarter acre roughly 10,000 square feet will find weekly mowing with a reel mower exhausting. Frankly, even a quarter acre seems a bit ambitious, especially in the spring when the grass grows quickly and may demand twiceaweek mowing. One of our longterm testers has approximately 1,000 square feet of lawn, and mowing takes her about 20 minutes. Second, a reel mower demands diligence and a strict adherence

to a regular cutting schedule. If grass gets overgrown, a reel mower will merely push it down and roll right over it, so if you tend to go a while between mowings, you should stick with a regular push mower. And the necessary diligence goes beyond the schedule. Reel mowers can't mow over twigs and leaves as gas mowers can, so additional attentiveness to pre-mow lawn cleanup is required, as well. Third, reel mowers are troublesome on sloped or bumpy lawns.

The torque that turns the blades comes from the wheels as you roll them along the ground. On an uneven surface, the wheels lose contact with the ground as they bounce or as the weight shifts on a slope. As one of our longterm testers put it, "Small dips can lead to grass getting missed, so I often end up mowing from two or three different angles to try and get it all." In fact, the results in general may not be what you expect. One of our longterm testers said that their mower "often totally misses taller strands of grass" and that they "have to go back and snip those with a pair of shears." Also, on most reel mowers, the blades are inboard of the wheels, so you'll have a wider gap of unmowed grass against a fence or a stone wall. If you don't think a reel mower is the best choice for your situation but you still want a low-maintenance and relatively quiet mower, we have a cordless mower pick in our guide to the best lawn mower. How we picked and tested: From front to back, the Fiskars StaySharp Max, the Lee Valley 20. Mower, the Great States 41516, and the Scotts 200020. To figure out how to pick the best reel mower, we spoke to Scott Dunbar, superintendent of Diamond Hawk Golf Course in Cheektowaga, New York. He explained that reel mowers can cut much closer to the ground than rotary mowers. At the golf course, the crew uses reel mowers to cut greens and approaches but uses gas-powered rotary mowers for the rough. But the average homeowner isn't cutting the lawn for use as a putting green—in fact, cutting your lawn too low is terrible for its health. Turf experts suggest never cutting off more than a third of your grass's length; cutting too close to the ground can cause the grass to dry out and get scorched in the summer. This means that a mower's minimum cutting height isn't a useful measurement, since you're unlikely to use that setting. Turf experts suggest never cutting off more than a third of your grass's length.

The maximum cutting height, however, is very important, and we used this spec as our primary factor in eliminating mowers from contention. Most residential grasses both cool and warm-season have recommended heights of cut that are at the upper limit or even exceed the height of cut that is possible with some of the mowers," said University of Florida turfgrass specialist Kruse. "While it would be possible to use the mower, the longterm health of the turf could suffer significantly," he continued. We mowed recently cut grass that was already quite low. We mowed tall, weedy grass. We mowed everything in between. We then looked at other factors: How easy is the mower to adjust. How hard is it to push. How wide is it. How much does it weigh. We looked for models with a history of robust user reviews. At that point we took our final four mowers to the golf course. There the grounds crew helped us adjust the blades to the exact same standard they used on their mowers so that the blades could cleanly slice a piece of paper. Over the next three hours, we pushed all four mowers back and forth on different-height grasses. On hand were course superintendent Scott Dunbar, a member of the grounds crew, a mechanic who maintains the course equipment, and an equipment salesman who happened to be at the course that day. These guys are all turfgrass experts who deal with grass and mowing equipment every day. They really took to the task of comparing these mowers, examining every aspect closely and answering all our questions about turf and cut quality. We mowed tall, weedy grass, and recently cut grass that was already low, and mowed everything in between. Choosing between the Scotts model made by the American Lawnmower Company and usually marketed under the Scotts name and the Fiskars mower made by the Finnish company known for its orange-handled bladed tools was initially quite difficult, as both did an excellent job cutting grass.

But after a great deal of back and forth and discussing our options with Dunbar and the grounds crew, we came to an unanimous agreement on a pick. Our pick: Scotts 200020 20-Inch Classic Push

Reel Lawn Mower The Scotts 200020 20Inch Classic Push Reel Lawn Mower. The Scotts 200020 20Inch Classic Push Reel Lawn Mower is the reel mower to get. Of the tested mowers, it offered the cleanest cut and the easiest adjustments, and it was the only one that didn't jam. It also has a wide, 20inch cutting swath—the widest we found—as well as height adjustments between 1 and 3 inches, which is a more versatile range than we saw on almost all of the other available reel mowers. At 34 pounds, it's light and easy to turn around at the end of each mowing row, but it's heavy enough that it doesn't bounce around on slightly uneven turf. The quality of the cut is where the Scotts 200020 excelled against the competition. When our lawn experts were going back and forth with the mowers on a variety of grasses and lengths, they noticed that the Scotts model would leave a swath of totally trimmed grass with each blade snipped evenly across, no ragged edges to be seen. In contrast, the other mowers would leave a bunch of blades sticking up like chimneys after a house fire, requiring the testers to back up and go over the area again. The Scotts mower also never jammed up during testing, whereas all of the other mowers did. The Scotts 200020 in action. And not only was the cut quality good, but with each pass the Scotts 200020 also snipped a wider path than most of the others. The Scotts is a 20inchwide mower, the widest size available the measurement refers to the blade width, not the overall width. We tested another 20inch model, the Lee Valley 20. Mower, but that one was harder to push, and its cut quality was worse. Our testers also gave the Scotts 200020 high marks for overall usability.